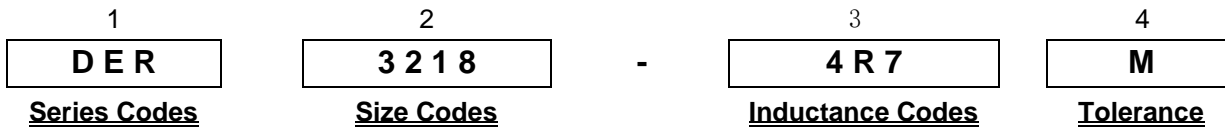




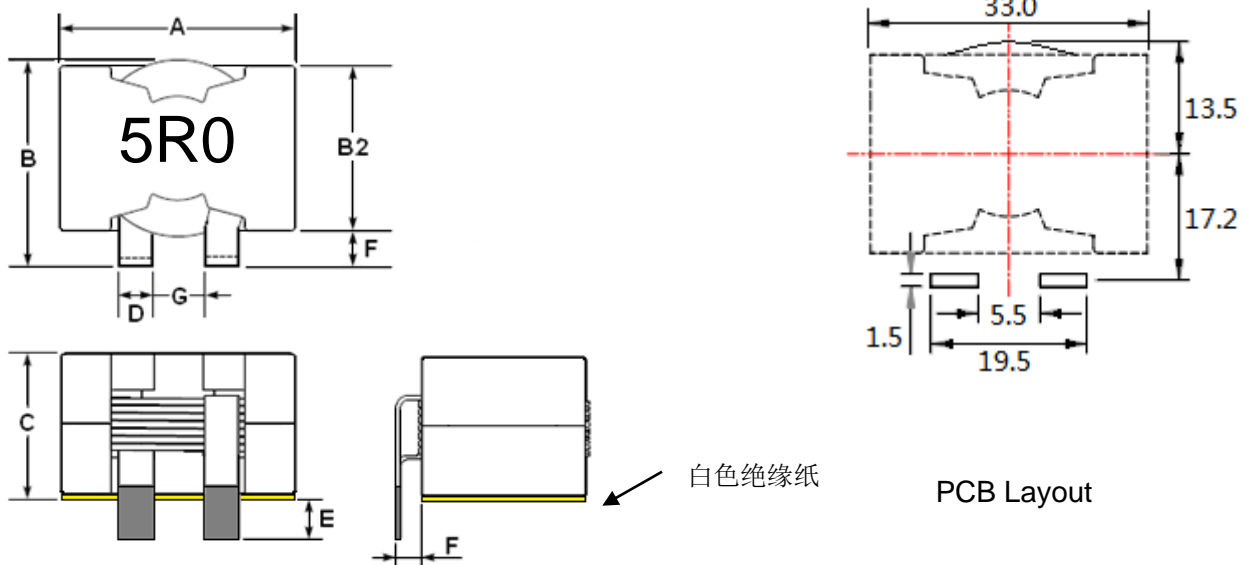
Product description:

1. Assemblage design, sturdy structure.
2. High inductance, high current, low magnetic loss, low ERS, small parasitic capacitance.
3. Flat wire winding, achieve a low DCR.
4. Temperature rise current and saturation current is less influenced by environment.
5. Operating temperature: $-25^{\circ}\text{C} \sim 125^{\circ}\text{C}$.
6. Placement form is DIP.

Explanation of part numbers



Boundary dimension (unit: mm)



A	B	C	D	E	F	G
33.0 Max	30.8±1.0	18.8 Max	6.0±0.3	3.5±1.0	6.7 Ref.	6.0±0.5

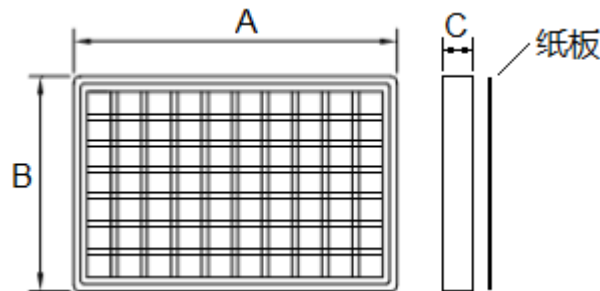
Electrical Characteristics: TEST CONDITION: AT 25°C, 100KHz / 0.1V

Part No.	Lo(0A) (μH) \pm 20%	Irms(A) Type.	Isat(A) Type.	DCR(m Ω) Type.	DCR(m Ω) Max.	Material	Placement form
DER3218-3R3M	3.3	45	80	1.3	1.45	MnZn	DIP
DER3218-4R7M	4.7	45	75	1.3	1.45	MnZn	DIP
DER3218-5R0M	5.0	45	70	1.3	1.45	MnZn	DIP
DER3218-6R0M	6.0	45	55	1.3	1.45	MnZn	DIP
DER3218-6R8M	6.8	45	50	1.3	1.45	MnZn	DIP

NOTE:

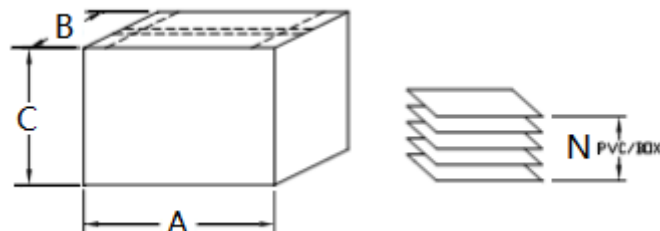
- All test data is referenced to 25°C ambient.
- Irms: DC current(A) that will cause an approximate ΔT of 40°C.
- Isat: DC current(A) that will cause Lo to drop approximate 30%.
- Operating temperature range is -25°C to 125°C.
- The part temperature(ambient and temp rise) should not exceed 125°C under worse case operating conditions. Circuit design, component placement, PWB trace size and thickness, airflow and other cooling provision all affect the part temperature. Part temperature should be verified in the end application.

PACKING INFORMATION



PET 盘规格: 322*202*28mm, 每盘装 28 个。

TYPE	A(Ref.)	B(Ref.)	C(Ref.)
DER3218	322	202	28



外箱规格: 340*215*220mm, 7PET 盘装一箱, 一箱装 196 个。

Series	QTY (Pcs/Box)	A(Ref.)	B(Ref.)	C(Ref.)
DER3218	196 Ref.	340	215	220