

Anruike/安瑞科 磁环绕线电感 Magnetic loop inductance TC

外型尺寸: (单位 mm) Appearance size: (unit mm)



产吕编号 Part No	电感值(uH)±20% Inductance	测试频率 Test freq	额定电流 (A) Max Rated current	直流电阻 (MΩ) Max DC resistance	尺寸(mm)DimesSion	
					A	D
TC20-26	5-27	1KHz	0.5-0.3	7-31	8	4.5
TC30-26	10-240	1KHz	2.0-0.5	17-360	13.5	6.5
TC44-26	15-360	1KHz	2.0-0.5	23-460	15.5	7.5
TC50-26	20-220	1KHz	3.0-1.0	21-14	17.5	8.5
TC60-26	22-470	1KHz	5.0-1.0	14-286	20.2	10.5
TC68-26	25-220	1KHz	5.0-4.0	16-50	24.5	10.5
TC80-26	270-360	1KHz	3.0-1.0	81-438	26.5	11.5
TC90-26	90-1800	1KHz	5.0-1.0	34-680	28.5	14.5
TC94-26	82-1300	1KHz	5.0-1.0	33-585	29.5	14.5
TC106-26	30-850	1KHz	10.0-2.0	9-211	32.5	18.5
TC130-26	75-680	1KHz	10.0-5.0	14-105	40.5	21.5

以上为常用规格, 超出以上规格请另行联系我司 The above specifications are commonly used. If you exceed the above specifications, please contact us separately.

命名说明 Name Description

- ◆ TC 表示产品类型. TC indicates product type.
- ◆ 44-26 表示磁材尺寸和材质, 44 表示磁环外径为 0.44 英寸, 26 表示磁环材质。Indoleum 44-26 represents the size and material of the magnetic material, 44 represents the outer diameter of the magnetic ring of 0.44 inches, 26 represents the material of the magnetic ring.

特征性能及应用 Characteristics and application of

- ◆ 低成本设计, 低直流电阻, 大电流。Low cost design, low DC resistance and high current.
- ◆ 功率损耗低对周边设备热影响低, 环型结构辐射噪音低。Low power loss has a low thermal impact on peripherals and low noise emission from ring structure.
- ◆ 具有不同材质以适合不同的频率, 高饱和材料, 适应电感范围宽。Different materials are suitable for different frequencies, high saturation materials and wide inductance range.
- ◆ 产品无铅, 符合 ROHS 指令。The products are lead-free and comply with the ROHS directive.
- ◆ 产品广泛应用于 DC/DC 转换器, 电视机, 录相机, 安防产品及射频干扰等。The products are widely used in DC/DC converters, televisions, video recorders, security products and radio frequency interference.

测量仪表及条件 Measuring instrument and conditions

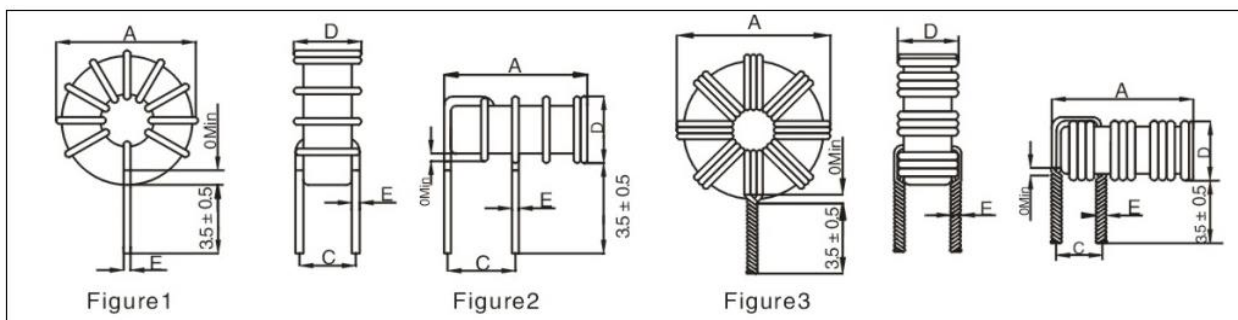
- ◆ 电感值测试仪表: HP4286A\CH1062A 或同等 LCR METER.
- ◆ 测试条件: 7.96MHZ~1KHZ.
- ◆ 电阻测试仪: TH2512B 或同等的 DCR 测试设备.
- ◆ 额定电流测试仪: VR116&VR7210 或同等恒流源设备.
- ◆ 额定电流定义: 电感下降 25%或温度上升 40℃时取其最小值作为额定电流.

◆ 貯藏温度：10℃～25℃，相对湿度：RH65%～85%。

深圳市安瑞科電子有限公司 / 優質電感專業製造商Tel:0755-29805463,27994543 Fax:0755-29805221
<http://www.anruike.com> E-mail: ark@anruike.com

Anruike/ 安瑞科 磁环绕线电感 Magnetic loop inductance TC 型

外型尺寸：(单位 mm) Appearance size: (unit mm)



电气性能

ELECTRICAL CHARACTERISTICS TC3826-6052 SERIES

产号编号 Part No	电感(uH)±20% Inductance	测试频率 Test freq	额定电流 (A) Max Rated current	直流电阻 (MΩ) Max DC resistance	尺寸(mm)DimesSion				Figure
					A(Max)	C±0.1	D(Max)	E±0.5	
TC3826-1R0M	1.00	200KHz	10	3.3	14.0	7.0	8.0	1.4	2
TC4452-1R2M	1.20	200KHz	14	3.0	15.5	5.5	8.0	1.1	1
TC4452-2R2M	2.20	200KHz	10	4.0	15.5	5.5	8.0	1.0	1
TC5026-R60M	0.60	200KHz	14	1.4	16.5	7.5	8.0	1.6	2
TC5018-1R2M	1.20	200KHz	10	1.9	16.5	9.0	11.5	1.9	2
TC5026B-1R5M	1.50	200KHz	25	2.6	17.5	8.0	10.5	1.7	1
TC5052B-1R6M	1.60	200KHz	18	3.0	17.5	9.0	10.5	1.9	2
TC6026-1R2M	1.20	200KHz	20	2.1	19.0	8.0	9.5	1.7	3
TC6052-1R2M	1.20	200KHz	25	1.9	19.0	9.0	9.5	1.9	2
TC6018-2R2M	2.20	200KHz	15	2.7	19.0	8.5	9.0	1.8	2
TC6052-3R0M	3.30	200KHz	10	4.0	21.0	8.5	10.0	2.2	2

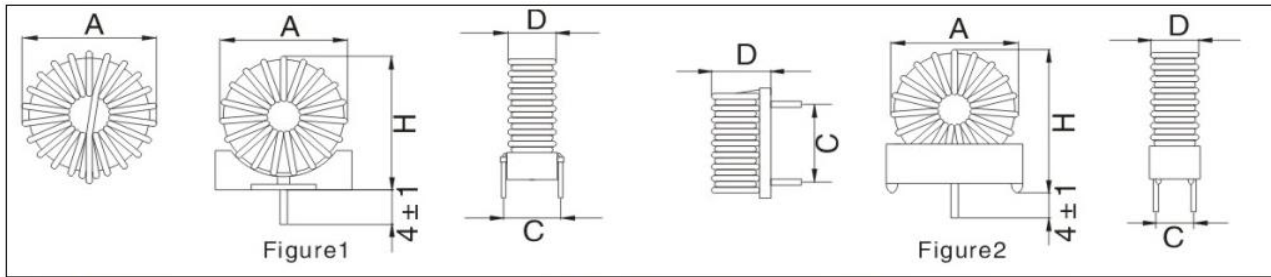
本页面未能录入全部或最新的参数，仅供参考，请您在订购前向本公司索要精准参数及样品。

Reference for this page failed to input all or most new parameters, please ask for the precision parameter and sample to the company before the order.

深圳市安瑞科電子有限公司 / 優質電感專業製造商Tel:0755-29805463,27994543 Fax:0755-29805221
<http://www.anruike.com> E-mail: ark@anruike.com

Anruike/安瑞科 磁环绕线电感 Magnetic loop inductance TC 型

外型尺寸: (单位 mm) Appearance size: (unit mm)



电气性能

ELECTRICAL CHARACTERISTICS TC3826-10626 SERIES

产品编号 Part No	电感(uH)±20% Inductance	测试频率 Test freq	额定电流 (A) Max Rated current	直流电阻 (MΩ) Max DC resistance	尺寸(mm)Dimension				Figure
					A(Max)	C±0.1	D(Max)	E±0.5	
TCV3826-3R3M	3.3	200KHz	2.0	10	13.0	6.0	8.0	14.0	1
TCV3826-101M	100	200KHz	3.0	60	22.0	10.0	12.5	24.0	1
TCV4426-150M	15	200KHz	2.0	23	15.0	5.6	9.0	18.0	2
TCV5026B-600M	60	200KHz	3.0	38	17.0	7.6	11.8	20.0	2
TCV6826A-470M	47	200KHz	3.0	30	21.5	7.6	11.8	24.5	2
TCV8026B-101M	100	200KHz	4.0	39	24.5	11.4	15.5	27.5	2
TCV10626-101M	100	200KHz	5.0	36	32.0	12.7	18.2	35.5	2

本页面未能录入全部或最新的参数, 仅供参考, 请您在订购前向本公司索要精准参数及样品。

Reference for this page failed to input all or most new parameters, please ask for the precision parameter and sample to the company before the order.

深圳市安瑞科电子有限公司 / 優質電感專業製造商Tel:0755-29805463,27994543 Fax:0755-29805221

<http://www.anruike.com> E-mail: ark@anruike.com